

BAR SCREEN

SPECIFICITIES

- > Installation : Chanel
- > 75° inclined bar screen
- > Bar spacing from 6 to 60 mm
- > Discharge height up to 8 m
- > Screenings discharge downstream
- > Rake driving by lateral chains
- > Simple design, reliable and sturdy



DESCRIPTION / OPERATION

RAKESEP inclined screens, RKS series, are installed in channels. They fulfill both fine or coarse screening function. They can also be equipped with a fully integrated compactor for screenings dewatering (RKS/P series).

The effluent passes through the screen, while the waste is stopped by vertical bars spaced apart according to the desired mesh.

The screen start-up is programmed periodically, and by loss of head measurement caused by the accumulation of waste on the bars.

The waste is lifted by means of multiple rakes driven by two lateral chains.

○ FRAME

The structure of the screen is made up of two lateral frame structures fitting the required channel width. For channel installation, lateral rubber bands are sealing the gap between screen and civil-work. RAKESEP screens are covering configurations up to 1,75 meter width and up to 8 meters discharge height.

○ FILTRATION SCREEN

The screen consists of fixed bars whose space between them defines the screening mesh. This model with multiple rakes is particularly adapted for high loaded effluent and can be used either as a fine or coarse screen (6 to 60 mm bar spacing).

○ MECANISM

Rakes are fixed to lateral chains driven by toothed wheels. The precision of the upward movement of the rakes along the bar screen and then along the sliding plate guarantees a perfect scraping and raising of waste up to the point of discharge.

○ WASTE

The screening waste can thus be unloaded in a container. They can be also transferred to a conveyor or a transversal screw compactor integrated to the unit (Version RKS/P).

TECHNICAL DATA

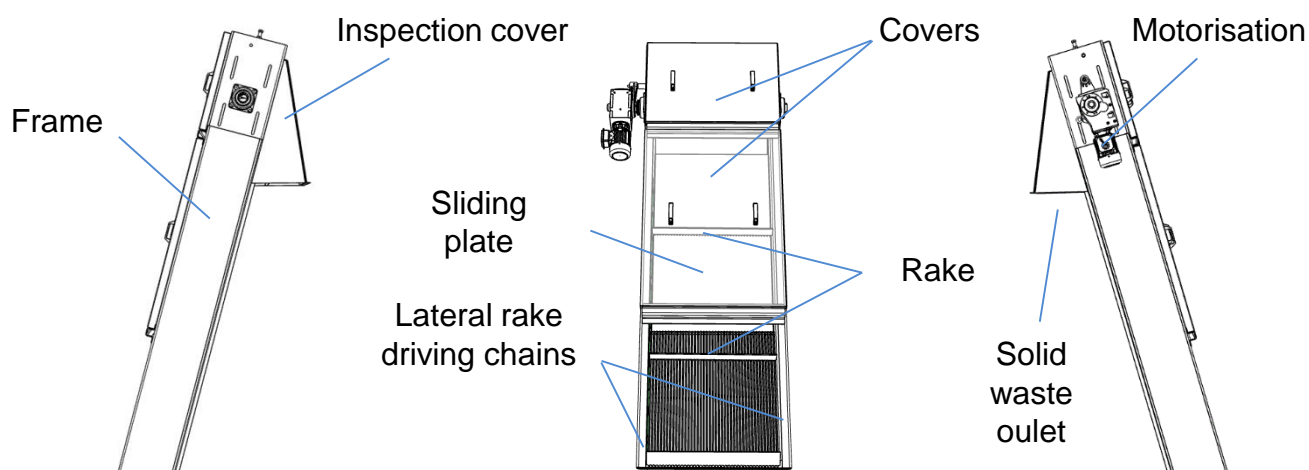
MATERIAL

- Construction in stainless steel 304L or 316L

PERFORMANCES

	Hydraulic flow rates with urban effluent (m ³ /h)					
Mesh(mm)	RKS 500	RKS 750	RKS 1000	RKS 1250	RKS 1500	RKS 1750
From 6 to 60 mm	Flow rates are depending of channel width, mesh and hydraulic profile (Flow velocity)					
	Up to 7500 m ³ /h					

LAY-OUT AND DIMENSIONS



	Overall dimensions in mm					
Models	Discharge height Maxi	Total height maxi	Channel width mini	Screen width	MKS width with compactor	Channel hold length maxi
MKS 500 P	8000	9150	500	370	2500	800
MKS 750 P	8000	9150	750	620	2750	800
MKS 1000 P	8000	9150	1000	860	3000	800
MKS 1250 P	8000	9150	1250	1110	3250	800
MKS 1500 P	8000	9150	1500	1360	3500	800
MKS 1750 P	8000	9150	1750	1610	3750	800

The manufacturer reserves the right to make technical and manufacturing modifications without prior notice. Not all installation possibilities and combinations are indicated. Please consult us.